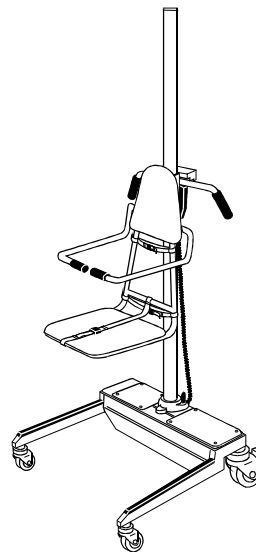


Model 196 Battery Operated Chair Lift

Model 196 Mobile Battery Operated Lift is designed to help reduce strain on the attendant's back while transferring patients to a variety of whirlpools, tanks and tubs. This lift has a hand operated remote height control, removable seat and back, two 12-volt batteries, built-in charger, and push handles. The chair is fire retardant and waterproof. The lift can be operated up to 40 hours per charge. There is an optional stretcher attachment.



Lift

The frame is constructed of high-gloss epoxy-painted tubular steel and the mast is triple-plated chrome tubing. The chair is tubular steel, epoxy coated with a removable molded fire retardant polyurethane seat and back rest for easy cleaning and disinfecting. The chair has an arm rest that can be positioned either for patient security or therapist accessibility. The chair has three safety belts.

The lift features 5" locking rear casters with straight steering device and dual 3" front wheels.

The hand-held remote control has a flexible cable.

The lift mechanism is a ball screw actuator with a 12 V DC motor equipped with a built-in battery charger and two 12 volt rechargeable batteries. The LED low battery display is located on the base. The lift can not be operated when the batteries are charging.

Optional Accessories

- Stretcher
- Hygiene Seat
- Wall Brackets (for storage of accessories)

Specifications

Mechanical

A. Length	34 in	86 cm
B. Width	34 in	86 cm
C. Height		
max	88 in	224 cm
min	56 in	142 cm
D. Total Depth	42 in	107 cm
E. Leg Clearance	7 in	18 cm
F. Space Between Chair Back and Mast		
Middle	4 in	10 cm
Lower	10 in	25 cm
Travel	32 in	81 cm
Weight	180 lb	82 kg
Load Limit	330 lb	150 kg

Chair

16" wide X 17" deep, two safety restraints, and padded arm rests.

Electrical

Motor, 12V DC 22 amp full load, permanent magnet field, reversible.

Rechargeable Battery, 12 Volt D.C.

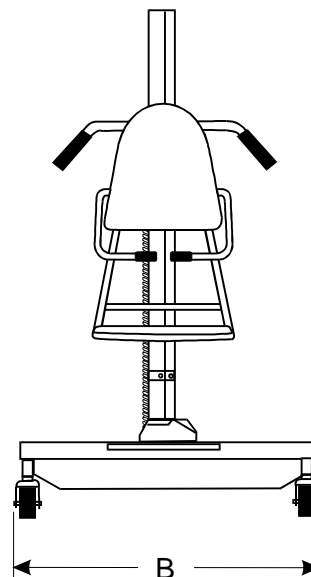
Charger 115 Volt A.C. 60 Hz 1.2 Amps.

Most specifications are rounded to whole numbers.

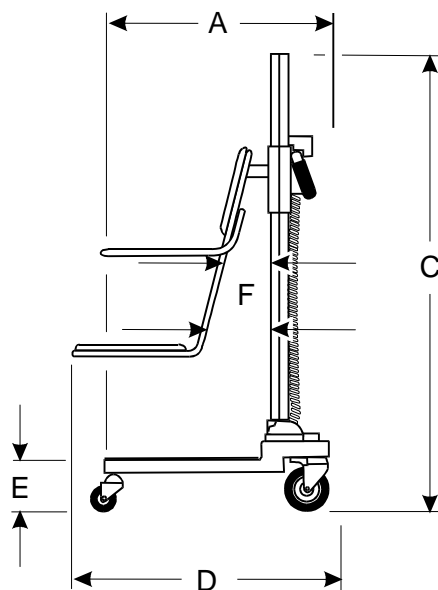
Contact Ferno Customer Service for detailed specifications.

Ferno reserves the right to change specifications without notice.

Front View



Side View



Contact Customer Service at:

Ferno-Washington, Inc.
 70 Weil Way
 Wilmington, OH 45177-9371
 Phone 800.733.3766
 937.382.1451
 Fax 937.382.1191